

76899

# TV NOW™

portable video recorder

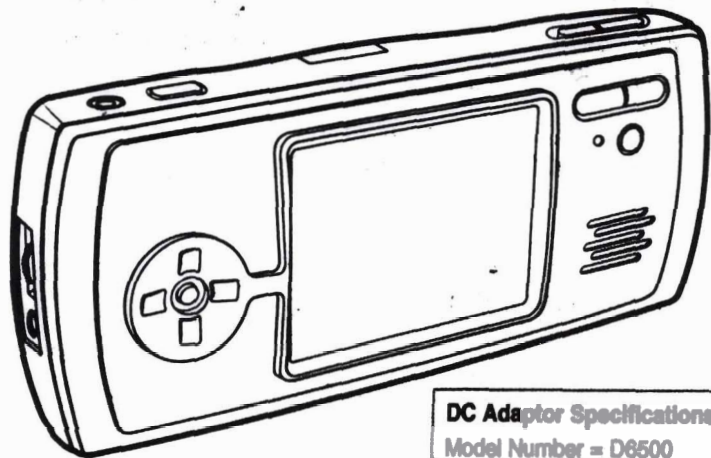
## USER GUIDE

Thank you for purchasing TV NOW, the portable video recorder that lets you take your shows on the go! Read and follow all instructions carefully before using this product.

**IMPORTANT:** Hook up TV NOW to a video "line out" jack ONLY on your DVD Player, VCR, cable box, satellite receiver, stereo or TV.

Most televisions sold in the United States do NOT have output jacks, so you should use the video and audio output jacks on your DVD Player, satellite receiver, VCR, or cable box. If your TV has output jacks, they are usually located in the rear of the television. If you connect TV NOW to "line in" jacks, typically located in the front of your television, TV NOW will not function properly.

TV/DVD/VCR/Cable Box or Satellite Receiver with RCA analog video out jacks required. AV cable and 6V DC Power Adaptor included.



### DC Adaptor Specifications:

Model Number = D6500  
 Input Voltage = 120V AC  
 60Hz 12W  
 Output Voltage = 6V DC  
 Current = 500mA  
 Polarity:

 **x4 BATTERIES REQUIRED**  
 1.5V AAA or LR03 size Alkaline batteries recommended. Phillips/cross head screwdriver (not included) needed to insert batteries.  
**NOT INCLUDED**



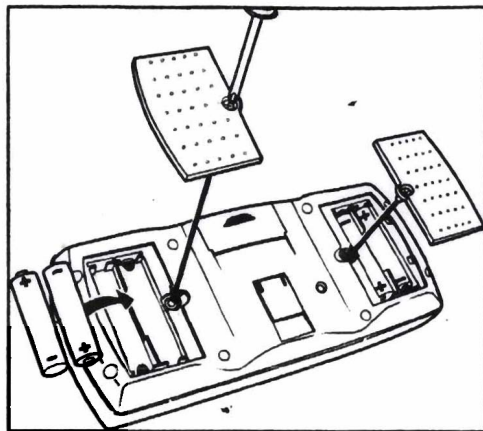
### CAUTION-ELECTRICALLY OPERATED PRODUCT:

Not recommended for children under 8 years of age. As with all electric products, precautions should be observed during handling and use to prevent electric shock.

Using a Phillips/cross head screwdriver, loosen the screws in the battery compartment covers (screws stay attached to covers). Remove covers. Insert 4 x 1.5V "AAA" or LR03 size alkaline batteries (not included). Replace covers and tighten screws.

**⚠ CAUTION STATEMENT:**

- 1. As with all small batteries, the batteries used with this product should be kept away from small children who still put things in their mouths. If they are swallowed, promptly see a doctor and have the doctor phone (202) 625-3333 collect. In other countries, have the doctor call your local poison control center.**
- 2. Make sure the batteries are inserted correctly and always follow the product and battery manufacturers' instructions;**
- 3. Do not mix old batteries and new batteries or alkaline, standard (carbon zinc) or rechargeable (nickel-cadmium) batteries.**

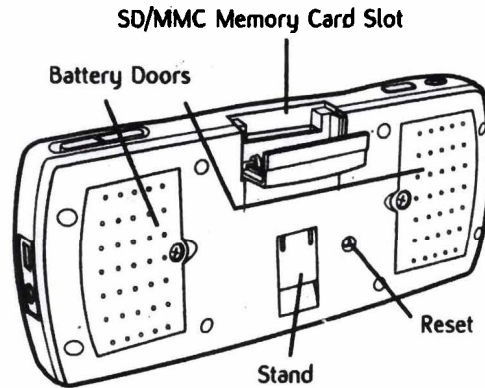
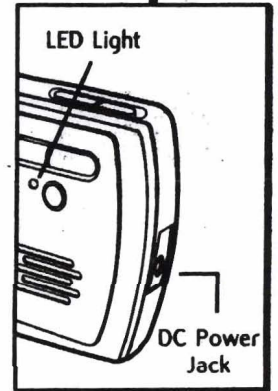
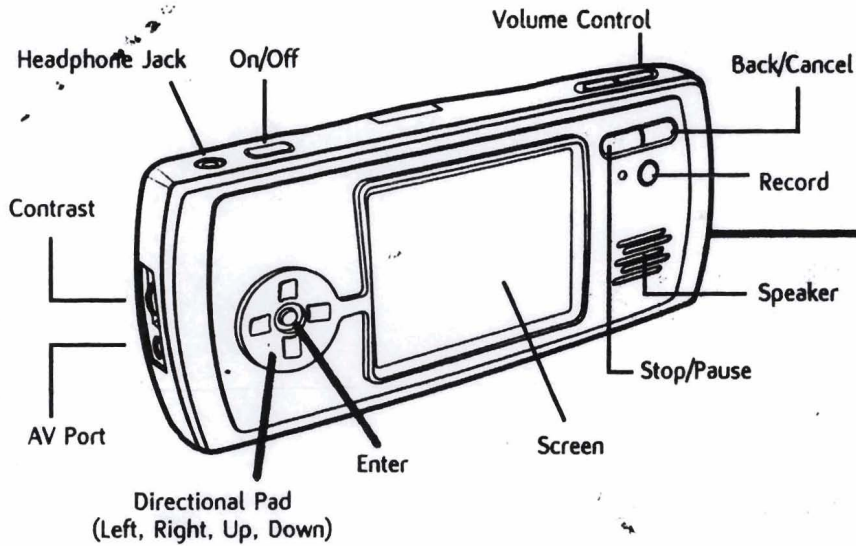


TV NOW is a portable recorder of video and music. Its 128MB of memory can be split between video and music files. With TV NOW, you can record video from any analog video signal, and/or you can also record music from any device with a 3.5 mm headphone jack. You record and save your files, and take 'em on the go.

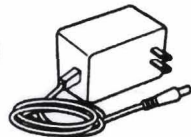
The key thing to know about TV NOW is where to plug it in, when recording.

Your television receives signals: from your DVD player, VCR, cable box, or satellite receiver. These devices feed data to your television, and this is what you want to record. You need to hook up TV NOW to the "line out" jacks on these devices. If you hook up TV NOW to the "line in" jacks on your TV, TV NOW will not work, because nothing comes out of "line in" jacks.

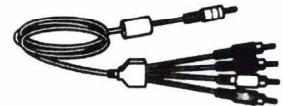
# GETTING TO KNOW YOUR TV NOW



**DC Power Adaptor**  
Use only the supplied  
power adaptor  
(D6500).



AV Cable



## MAIN MENU

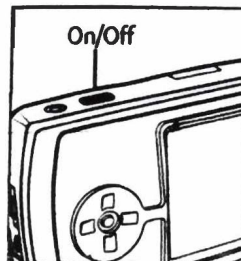
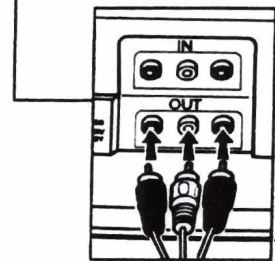
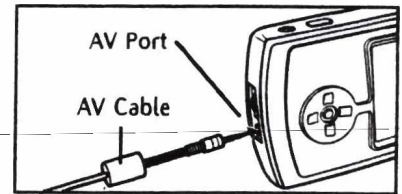


Press ENTER to select the mode highlighted, and the screen will move to that specific mode's menu screen.

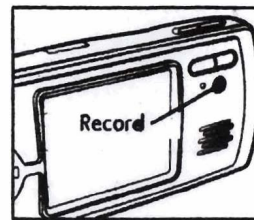


## TO RECORD TELEVISION SHOWS

1. Plug the DC Power Adaptor into the DC Power Jack on your TV NOW and into a standard outlet.
2. Plug the AV Cable into the AV Port on the left side of your TV NOW.
3. Insert the tri-colored plugs of the AV Cable into your TV/VCR/DVD/Cable box or Satellite Receiver's AUDIO AND VIDEO OUT JACKS. Make sure that you match the colors of the connectors (white, red and yellow) to the colors of the ports. Typically these are found on the back of your TV/VCR/DVD/Cable box or Satellite Receiver.
4. Press the TV NOW power button to turn your TV NOW ON. Turn on your television and locate the TV show that you wish to record.



5. To enter the record mode, select RECORD from the main menu. Select START RECORDING and press ENTER to begin recording your TV show. The LED light will blink while recording.



If you do not want to begin recording right away, or you wish to change the recording length or location, you may select EDIT SETTINGS.

You may select options to delay the start of recording (delay up to 23 hours, 59 minutes), record for a particular time period (up to 23 hours, 59 minutes), or record to a SD card (not included) or internal memory. To do any of the above, press ▲▼ to adjust settings, press ◀▶ to move between the settings, and press ENTER to accept these settings. (When delay-recording, leave the TV on the channel you want to record from.)

NOTE: The product will default to start recording immediately (0 min delay), record for 30 minutes, and record to either the internal memory or a SD Card (if one is present). The RECORD TO will default to internal memory if no SD Card is present and, otherwise, will default to what the user sets in SYSTEM SETUP (under Memory Preference).

6. Press STOP/PAUSE once to pause recording.

Press ENTER to resume a paused recording.

Press STOP/PAUSE twice (or BACK/CANCEL once) to stop recording and save your file.

---

## TO RECORD MUSIC

---

To record music onto your TV NOW, follow the same steps as when recording TV shows: connect the green plug of the AV Cable to the earphones port of your stereo or mp3 player, turn TV NOW on, and press RECORD. Press STOP/PAUSE once to pause, ENTER to resume, and STOP/PAUSE twice to stop and save the file.

---

## QUICK RECORD

---

To quickly record your video or music, connect the cables as described above and press the RECORD button on the front of your TV NOW. An animation showing the cables being connected will be displayed on your TV NOW. Press the RECORD button again to begin recording. In this mode, your TV NOW will begin recording immediately and will only stop recording when you press STOP/PAUSE twice (or BACK/CANCEL once) or your TV NOW runs out of memory.

IMPORTANT: If you connect TV NOW to "line in" jacks, TV NOW will not function properly. The device will appear to be recording, and the screen will read "Music Recording." When you try to play the file, you won't see anything.



VIDEO



MUSIC

## PLAYING A FILE

Select either **MUSIC** or **VIDEO** from the main menu. Use the **▲ ▼** buttons to scroll through the menu and press **ENTER** to confirm your selection.

Select either **PLAY ALL** or "File 1," "File 2," etc., to play a particular file.

Press **▶** for more options:

**PLAY ALL** either in **Shuffle Mode** or **Loop Mode**.

Rename the file

- Delete the file

Move the file to a **SD card\*** or internal memory. (What is shown will depend on the location of the file: If it is on a **SD Card**, **Internal Memory** will be shown.)

\* Not included

Pressing **CANCEL** will return you to the main menu.

SYSTEM  
SETUP

## SYSTEM SETUP

Select "**MEMORY STATUS**" to view how much space is available on your internal memory and **SD CARD**.

Select "**MEMORY PREFERENCE**" then "**INTERNAL MEMORY**" to record your files on the internal memory, or "**SD CARD**" to record your files on an **SD card** (not included).

- Select "**VIDEO QUALITY**" to change the quality of recording. "**NORMAL QUALITY**" (default setting) will allow approximately 1 hour of video content on the internal memory. "**HIGH QUALITY**" will give a better quality but will allow approximately 45 minutes of video content on the internal memory. "**BEST QUALITY**" provides the best quality but will allow approximately one half-hour of video content on the internal memory

Select "**AUTO OFF TIME**" and "**3 MINUTES**", "**5 MINUTES**" or "**10 MINUTES**" to set the time that **TV NOW** should automatically turn off if idle. This will help conserve battery life. Select "**OFF**" to disable this feature.

- "**FORMAT INTERNAL MEMORY**" will delete all content from the internal memory.
- "**FORMAT SD CARD**" will delete all content from the **SD card**.

---

## VOLUME

---

To adjust the volume on your TV NOW player, push the right volume button to raise your audio level or push the left volume button to lower it.

---

## CONTRAST

---

To adjust the contrast on your TV NOW player, rotate the Contrast Control Dial up to increase the contrast of the screen, or down to decrease it.

If your player freezes up:

You will need to reset it. To do this, use a pen tip to press the Reset button on the back of the player or simply remove the existing batteries from the player and reinsert them. None of your files will be deleted!

If performance is slow or audio is low:

And you are using an SD card, check to make sure the SD/MMC card you are using is high-speed and the transfer rate is a minimum of 10MB/Sec. If you are not using an SD card, try putting in fresh batteries.

If your player is not recording:

Check to make sure the AV Cable is plugged into the AV OUT JACKS. These are typically found on the back of your TV/VCR/DVD Cable Box or Satellite Receiver.

**NOTE:** Your TV NOW and DC Power Adaptor should be periodically examined for potential hazards. If any potential hazards are found, please contact Hasbro Consumer Affairs at 1-800-844-3733 for repair or replacement.

## FCC STATEMENT

This device complies with part 15 of the FCC Rules. Operation is subject to the following two conditions: (1) This device may not cause harmful interference, and (2) this device must accept any interference received, including interference that may cause undesired operation.

Warning: Changes or modifications to this unit not expressly approved by the party responsible for compliance could void the user's authority to operate the equipment.

This equipment has been tested and found to comply with the limits for a Class B digital device, pursuant to Part 15 of the FCC Rules. These limits are designed to provide reasonable protection against harmful interference in a residential installation. This equipment generates, uses and can radiate radio frequency energy, and, if not installed and used in accordance with the instructions, may cause harmful interference to radio communications. However, there is no guarantee that interference will not occur in a particular installation. If this equipment does cause harmful interference to radio or television reception, which can be determined by turning the equipment off and on, the user is encouraged to try to correct the interference by one or more of the following measures:

- Reorient or relocate the receiving antenna.
- Increase the separation between the equipment and the receiver.
- Consult the dealer or an experienced radio/TV technician for help.
- Connect the equipment into an outlet on a circuit different from that to which the receiver is connected.

Shielded cables must be used with this unit to ensure compliance with the Class B FCC limits.

If you have any questions, please contact:

Consumer Affairs  
Hasbro, Inc.  
1027 Newport Avenue,  
Pawtucket, RI  
Tel: 1-800-844-3733  
Fax: 1-401-431-8082

Product and colors may vary.

Product and colors may vary.

© 2006 Hasbro. All Rights Reserved.  
TM & ® denote U.S. Trademarks.

76899 PN 6611460000



**TIGER**  
ELECTRONICS

Where Technology Comes to Play!™

Questions? Call 1-800-844-3733



ELECTRONICS.com